

## PlyBOX 2.0 – plywood box wheel arch covers

New PlyBOX 2.0 wheel arch covers are ready assembled boxes, fitted with aluminium edges for high-end look and easy installation and handling. The PlyBoxes are fixed to the van chassis with screws through the lining panels.

The wheel arch cover boxes are designed to maximize the cargo space, but also to enable storage space on or in the box. Many of them come in two heights “Low” & High” and are designed to fit perfectly over the wheel arch of the van.

PlyBoxes are available in 9mm Kore® van floor materials.

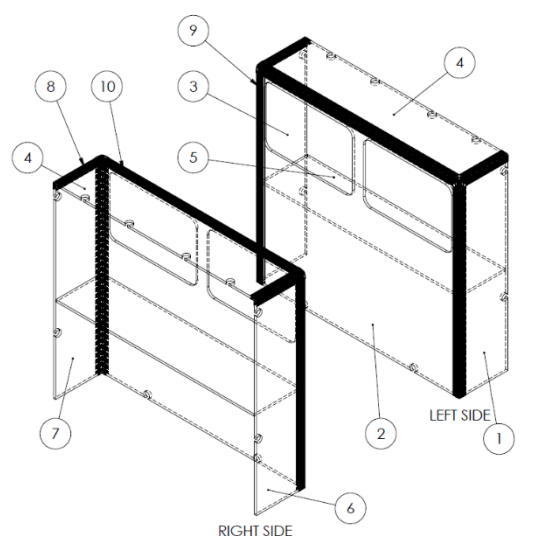
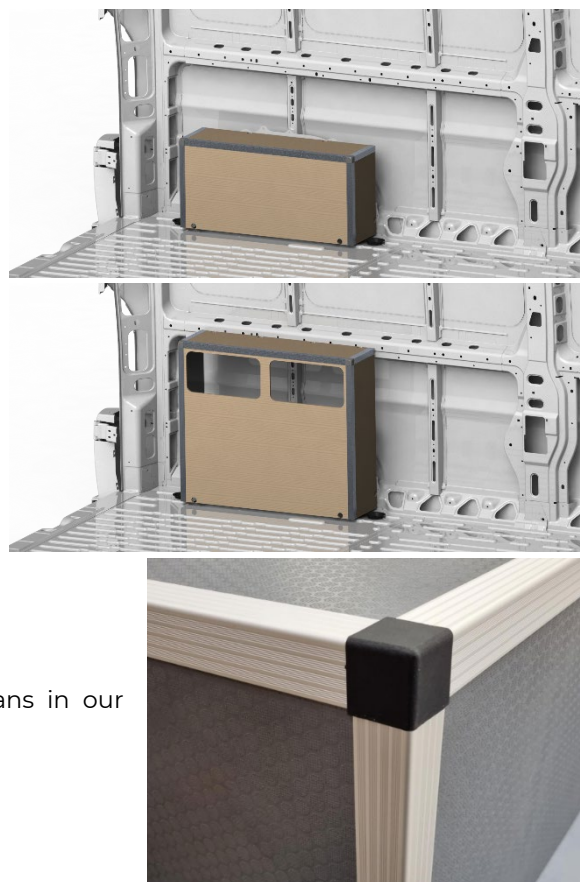
- 9mm KoskiCrown dark brown
- 9mm KoskiCrown silver grey
- 9mm KoskiDeck granite

Other materials available on request.

The product range is to be completed to cover all biggest vans in our portfolio.

In the pipeline:

Crafter/ TGE, X250 (Ducato/Boxer/Jumper), Sprinter, Transit, Transporter, KO (Scudo/Expert/Jumpy/Vivaro/Proace), Transit/Custom, Master, Daily



Drawing number Assembly K7-CRAF-HIGH	Date 22.2.2023	Scale 1:10	Model VW Crafter 2017 FWD

Current models available:

DRAWING	ITEM NAME
<b>K7-CRA17F-CE-L</b>	PlyBOX WAC Man TGE 2017 FWD Low PlyBOX WAC Volkswagen Crafter 2017 FWD Low
<b>K7-CRA17R-CE-L</b>	PlyBOX WAC Man TGE 2017 RWD Low PlyBOX WAC Volkswagen Crafter 2017 RWD Low
<b>K7-W910-LOW</b>	PlyBOX WAC MB Sprinter W910 FWD Low
<b>K7-X250-BD-LOW</b>	PlyBOX WAC Citroen Jumper mk 2 Low PlyBOX WAC Fiat Ducato mk 3 Low PlyBOX WAC Opel Movano C Low PlyBOX WAC Peugeot Boxer mk 2 Low